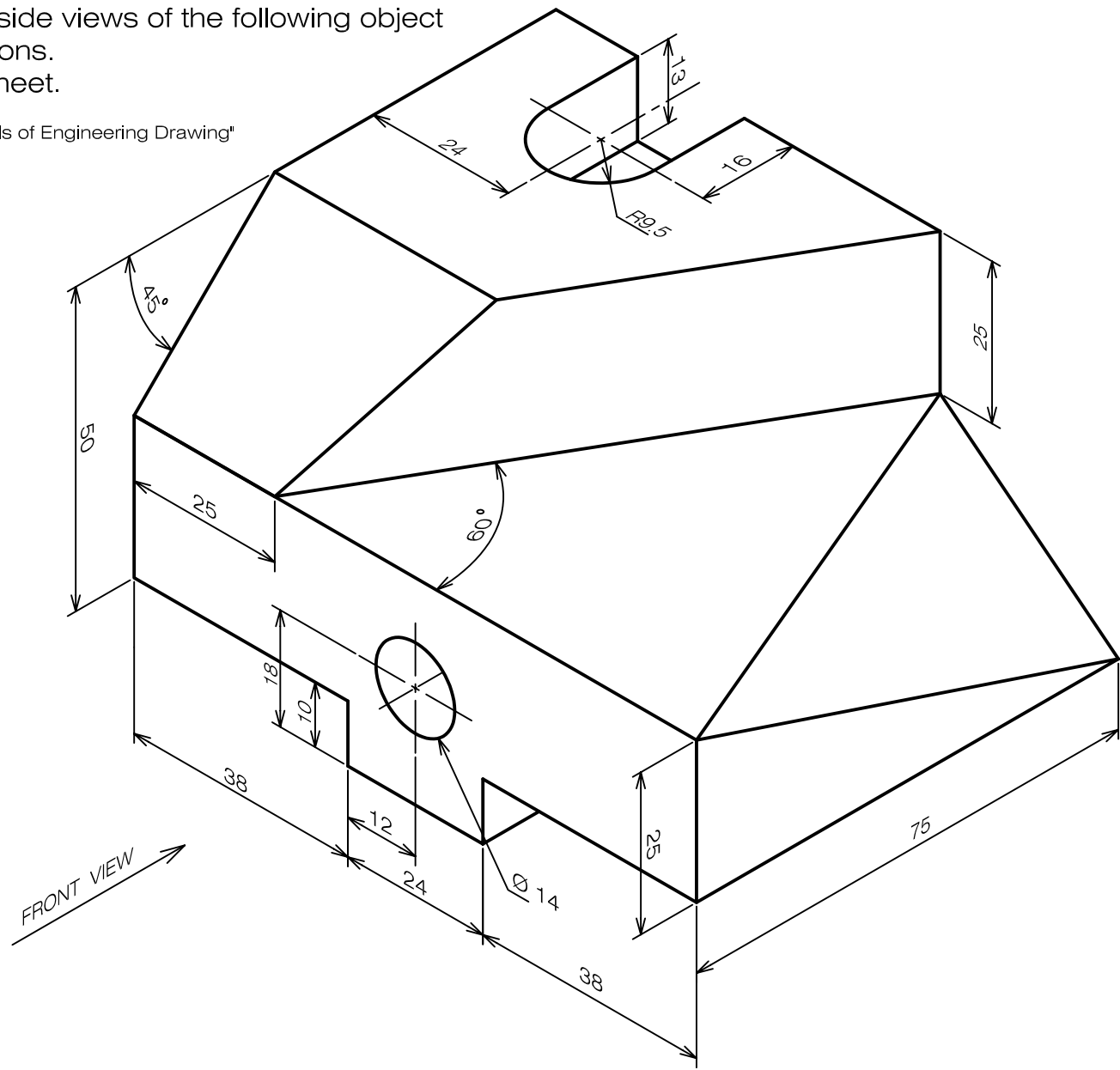


Draw front, top, and right-side views of the following object with a completed dimensions.
Draw in scale 1:1 on A4 sheet.

(Problem is adapted from "Fundamentals of Engineering Drawing" by Luzadder et al.)



SCALE 1:1